

TELEX TECHNICAL DATA

Model 100TRA Dynamic Microphone



General Description

The Model 100TRA is a noise-canceling aviation microphone. It consists of a dynamic microphone, amplifier, and push-to-talk switch in a rugged plastic housing. A hanger bracket and mounting hardware are supplied with the microphone. It is approved under the Federal Aviation Agency TSO-C58.

Features

Noise Cancellation

The 100TRA provides best noise cancellation when the user holds the top of the microphone very close to the mouth and speaks in a normal voice. A position at one side of the mouth is best to minimize popping, hissing and breathing sounds when speaking. The noise canceling duct on the back of the microphone (see dimension drawing) should not be obstructed during use.

Microphone Gain Adjustment

A microphone gain trimmer is accessible by removing the back cover. Counterclockwise rotation of the trimmer increases output. Adjustment by a qualified avionics technician is recommended, as excessive output can cause transmitter overload distortion.

Specifications

Frequency Response:

100-5,000 Hz, shaped for best intelligibility

Sensitivity:

-48 dB re: 1V/ μ bar at 1 kHz, 12 Vdc supply, 150-ohm load

Impedance:

Matches 50-600 ohms

Amplifier:

Gain adjustable over approximate ± 5 dB range; 8-30 Vdc supply voltage required; Current 15-30 mA at 12-24 Vdc while PTT switch is pressed, 1.4 mA when not pressed

Weight:

9 oz (255 g)

Switching:

PTT switch activation turns on amplifier and brings PTT to ground

Cord:

Coiled, three-conductor, black; retracted length, 11 inches (279 mm); extended length, 5 feet (1.5 m)

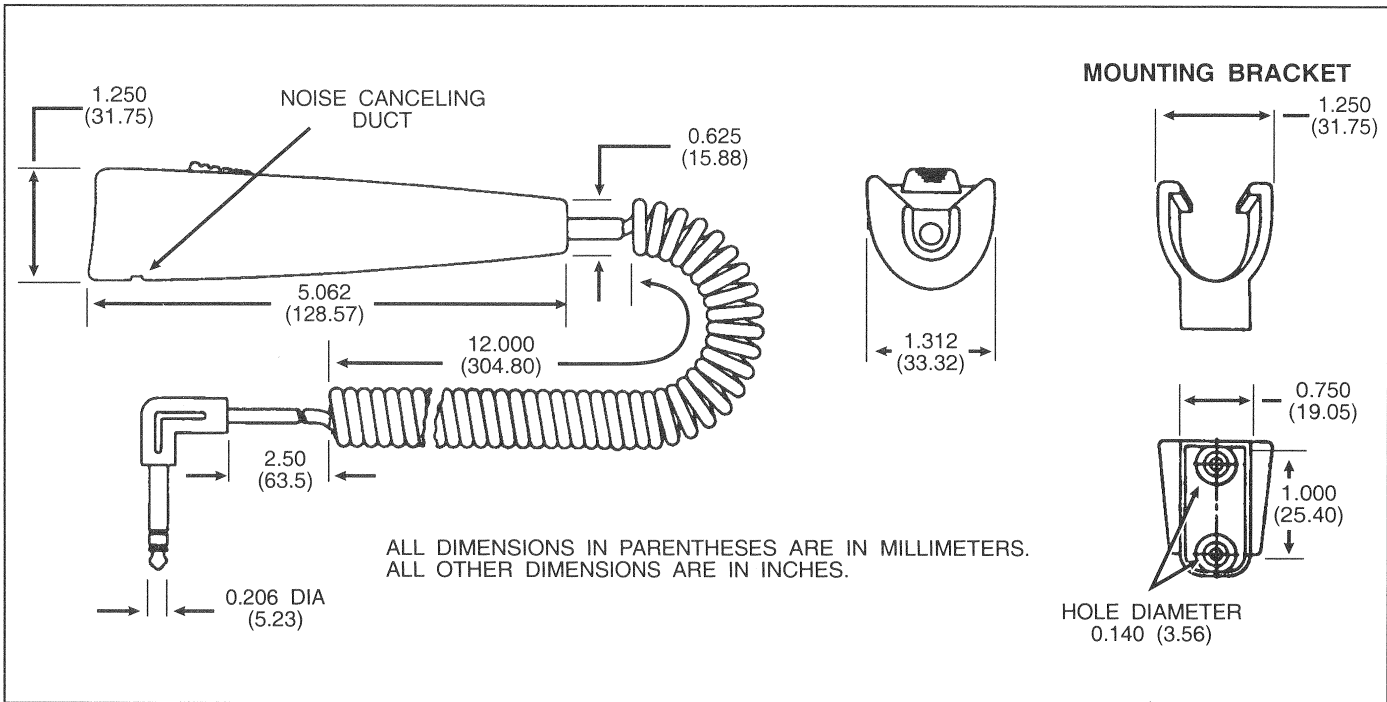
Plug:

PJ-068 equivalent

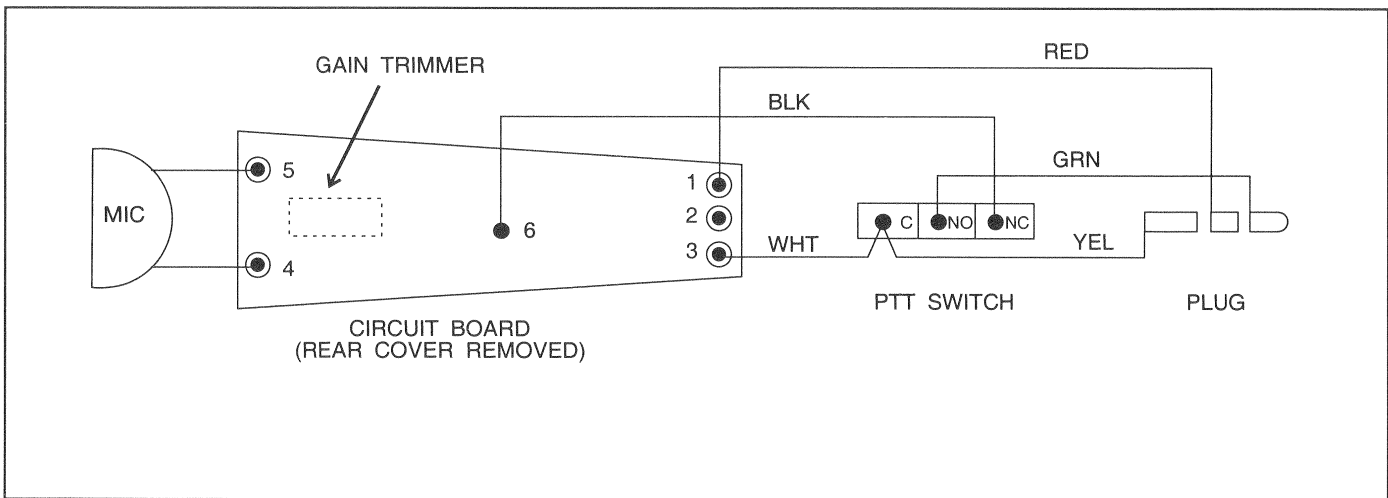
FAA Approval:

TSO-C58

Dimensions



Wiring Diagram



Ordering Information

Model 100TRA Dynamic Microphone Catalog Number 62800-001

TELEX®