

**Motorola
XTL-5000 Radios to
223 Series Adapter Panels**



Table of Contents

1.0 General	3
2.0 Interconnect Cable Assembly	3
3.0 223 Series Panels.....	4
3.1 TRA-223 Setup	4
3.1.1 TRA-223 Dip Switch Settings	4
3.2 DSP-223 Setup	5
3.2.1 DSP-223 Jumper Settings	5
3.3 IP-223 Setup.....	5
3.3.1 IP-223 Jumper Settings	5

Motorola XTL-5000 Radios to 223 Series Adapter Panels

1.0 General

This application note is intended to assist technical staff with cable assembly and hardware setup of different Telex 223 series adapters (TRA-223, DSP-223 and IP-223) to a Motorola**¹ XTL-5000 series mobile radio.

2.0 Interconnect Cable Assembly

A cable assembly is required to connect to the 26-pin accessory connector of the XTL to the various 223 series adaptor panels. Use Table 1 to build the specified cable assembly.

TABLE 1. Cable Assembly Pinouts

TRA-223 DB-25 Pin	DSP-223 DB-25 Pin	IP-223 DB-25 Pin	XTL 26-Pin	Signal
25	25	25	23	MIC +
24	24	24	21	RX +
14	14	14	16	PTT
7	7	7	14 & 15	GND

¹. See "Copyright Notice" on page 7.

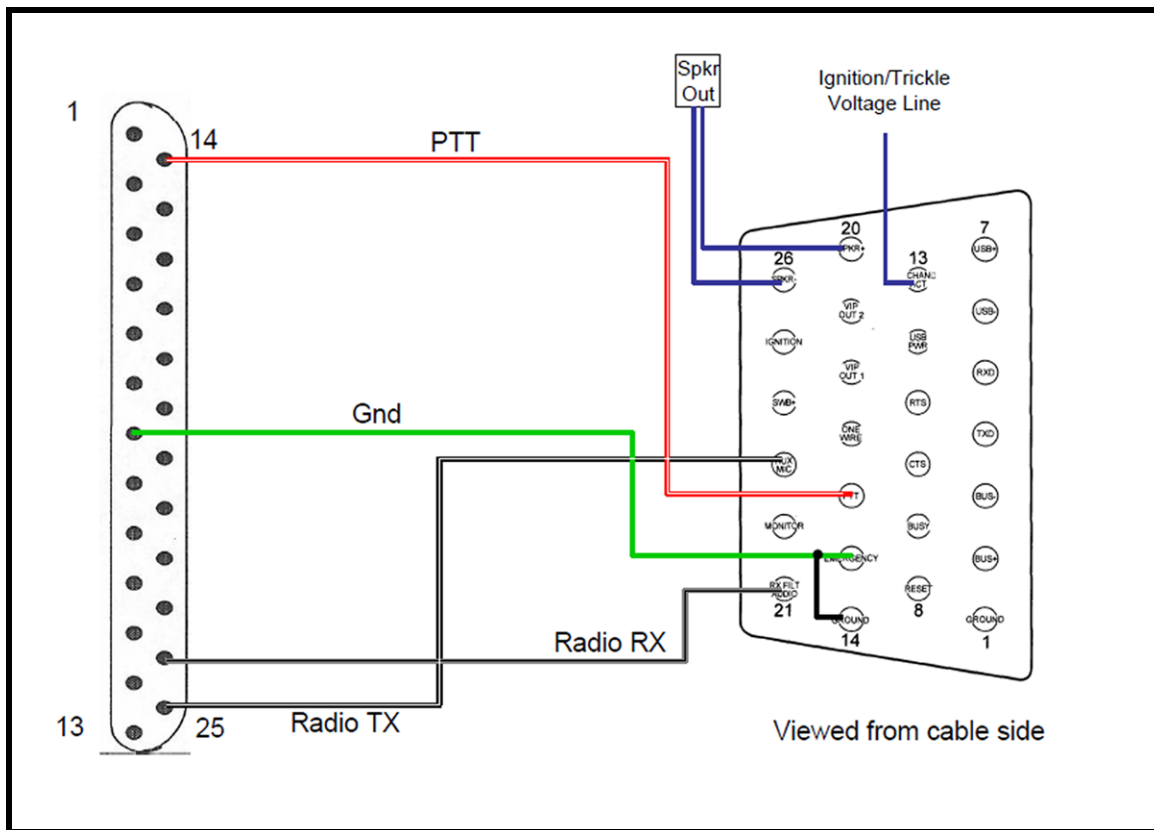


FIGURE 1. XLT Cable Assembly Diagram

3.0 223 Series Panels

3.1 TRA-223 Setup

3.1.1 TRA-223 Dip Switch Settings

To set front panel dip switches, do the following:

1. Set to **on**:
 - position 4
 - position 6
 - position 7
2. Select **2- or 4-wire operation** using:
 - position 1
 - position 2
 - position 3

REFERENCE: For more information, see the TRA-223 Technical Manual P/N 803570, Line Connection section. This document is available for download at www.telexradiodispatch.com/.

3.2 DSP-223 Setup

No DSP-223 software programming is required.

3.2.1 DSP-223 Jumper Settings

To set the **DSP223 Jumpers**, do the following:

1. Set to the **A position**:
 - J14, J15, J22, J23, J24, J25, J27.
2. Set to the **B position**:
 - J12 and J13
3. Solder close **JP2**.

To set the **operating mode**, do the following

- > Select **2- or 4- wire operation**:
 - J19, J20 and J21.

REFERENCE: For more information, see the DSP-223 Technical Manual (P/N 803274), DSP to Console Line Connection section. This document is available for download at www.telexradiodispatch.com/.

3.3 IP-223 Setup

Setup the desired IP-223 line's jumpers for Local radio control.

3.3.1 IP-223 Jumper Settings

TABLE 2. Jumper Settings

Line 1	Jumper Settings	Line 2
J33, J34	B = 4-Wire	J5, J6
J16, J21	A = Singled Ended	J19, J20
J14	Hanging on center pin = 10K Ohm	J24
J3, J9, J11	A = Single Ended	J25, J28, J29
J13	B = High	J27
J17, J22	B = 600 Ohms	J10, J15
R377	Solder bridge the pads together	R381

PROPRIETARY NOTICE

The product information and design disclosed herein were originated by and are the property of Bosch Security Systems, Inc. Bosch reserves all patent, proprietary design, manufacturing, reproduction, use and sales rights thereto, and to any article disclosed therein, except to the extent rights are expressly granted to others.

COPYRIGHT NOTICE

Copyright 2011 by Bosch Security Systems, Inc. All rights reserved. Reproduction, in whole or in part, without prior written permission from Bosch is prohibited.

*All other trademarks are property of their respective owners.

**MOTOROLA and the Stylized M logo are registered in the U.S. Patent and Trademark Office.

WARRANTY AND SERVICE INFORMATION

For warranty and service information, refer to www.telex.com/warranty.

FACTORY SERVICE CENTER

Factory Service Center
Bosch Security Systems, Inc.
Radio Dispatch Products
8601 East Cornhusker Highway
Lincoln, Nebraska, 68507

CONTACT INFORMATION

Sales:

Phone (800) 752-7560

Fax (402) 467-3279

E-mail..... TelexDispatch@us.bosch.com

Customer Service:

Repair (800) 553-5992

Technical Support:

Phone (800) 898-6723

E-mail..... TelexDispatchtechsupport@us.bosch.com

Web www.telex.com

Web www.telexradiodispatch.com

CLAIMS

No liability will be accepted for damages directly or indirectly arising from the use of our materials or from any other causes. Our liability shall be expressly limited to replacement or repair of defective materials.

Revision History		
Document Title: Motorola XTL-5000 Radios to 223 Series Adapter Panels		
Document Number: AN-DISPATCH-010		
Revision	Change Description	Date
A	Update brand, format and new document number. (Reference rev B)	01-OCT-2009
B	Update Telex website url. Table 2 correction to row 7 column 1.	11-FEB-2011