

TELEX®

LIMITED WARRANTY
Wired Microphones

EFFECTIVE FEBRUARY 1ST, 2004, SUPERSEDES ALL
OTHER WARRANTIES

Warranty (Limited)

Telex products are guaranteed against malfunction due to defects in materials or workmanship for a specified period as noted in the individual product line statement below. If such malfunction occurs during the specified period, the product will be repaired or replaced (at our option) without charge. The product will be returned to the customer prepaid.

Exclusions and Limitations

The Limited Warranty does not apply to: (a) exterior finish or appearance; (b) certain specific items described in the individual product line statement(s) below; (c) malfunction resulting from use or operation of the product other than as specified in the product data sheet or owner's manual; (d) malfunction resulting from misuse or abuse of the product; or (e) malfunction occurring at any time after repairs have been made to the product by anyone other than Telex Service or any of its authorized service representatives.

Telex Wired Microphones are guaranteed against malfunction due to defects in materials or workmanship for a period of one (1) year from the date of original purchase. The Limited Warranty does not extend to cables, cable connectors, or switches.

Obtaining Warranty Service:

To obtain warranty service, the customer must deliver the product, prepaid, to Telex Service or any of its authorized service representatives together with the proof of purchase of the product in the form of a bill of sale or receipted invoice. For warranty repair or service information, contact the Telex Service department (see below).

Incidental and Consequential Damages Excluded:

Product repair or replacement and return to the customer are the only remedies provided to the customer. Telex shall not be liable for any incidental or consequential damages including, without limitation, injuries to person or property or loss of use. Some states do not allow the exclusion or limitation of incidental or consequential damages so the above limitation or exclusion may not apply to you.

Other Rights:

This Warranty gives you specific legal rights, and you may also have other rights which vary from state to state.

For Technical Assistance, contact Technical Support at 800/392-3497 or 952/736-4656, M-F, 8:00 a.m. to 5:00 p.m. Central Standard Time.

USA, Canada, Latin America, Mexico & South America Telex Communications, Inc. 6501 East Cornhusker Hwy Lincoln, NE 68507 USA Tel: 402/467-5321 (inside US: 800/553-5992) Fax: 402/467-3279	Japan & Korea EVI Audio Japan Ltd. 5-3-8 Funabashi, Setagaya-Ku, Tokyo, Japan 156-0055 Phone: +81 3-5316-5020 Fax: +81 3-5316-5031	Hong Kong & China 7/F., China Minmetals Tower 79 Chatham Road South Tsim Sha Tsui Kowloon, Hong Kong Phone: (852) 2351 3628 Fax: (852) 2351 3329
Germany, France, United Kingdom, Rest of Europe, Africa & Middle East Telex EVI Audio GmbH. Hirschberger Ring 45 D 94315, Straubing, Germany Phone: +49 9421-706 0 Fax: +49 9421-706 265	Australia, New Zealand & Oceania EVI Audio (Aust) Pty Ltd. Unit 23 - Block C Slough Business Park Silverwater, N.S.W. 2128, Australia Phone: +61 2-9648-3455 Fax: +61 2-9648-5585	Singapore & South East Asia Telex Communications (SEA) Pte. Ltd. 3015A Ubi Road 1 #05-10 Kampong Ubi Industrial Estate Singapore 408705 Phone: (65) 6746 6760 Fax: (65) 6746 1206

TELEX

12000 Portland Avenue South, Burnsville, MN 55337
Phone: 952/884-4051, Fax: 952/884-0043

www.telex.com

© Telex Communications, Inc. 3/2004
Part Number 38110-262 Rev. A

U.S.A. and Canada only. For customer orders, contact Customer Service at:
800/392-3497 Fax: 800/955-8831

Europe, Africa, and Middle East only. For customer orders, contact Customer Service at:
+49 9421-706 0 Fax: +49 9421-706 265

Other International locations. For customer orders, contact Customer Service at:
+1 962 884-4051 Fax: +1 962 736-4212

For warranty repair or service information, contact the Service Repair department at:
800/553-5992 or 402/467-6321

For technical assistance, contact Technical Support at:
800/392-3497 or 952/736-4656
Warranty details subject to change without notice.

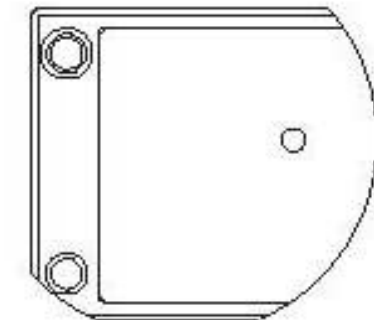
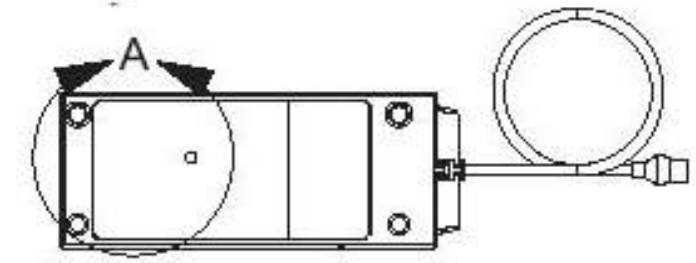
TELEX®

Radio Dispatch

DM2000 DESK MIC



Microphone Gain Adjust



DETAIL A

Located on the bottom of the mic is the Microphone Gain Adjustment. To increase or decrease the microphone output gain turn the pot located inside the hole using a pot adjustment tool.

Microphone Connector

- 1-VCC (red)
- 2-MONITER (blue)
- 3-PTT (brown)
- 4-PTT/MON GND (yellow)
- 5-MIC (white)
- 6-GND (ground)

