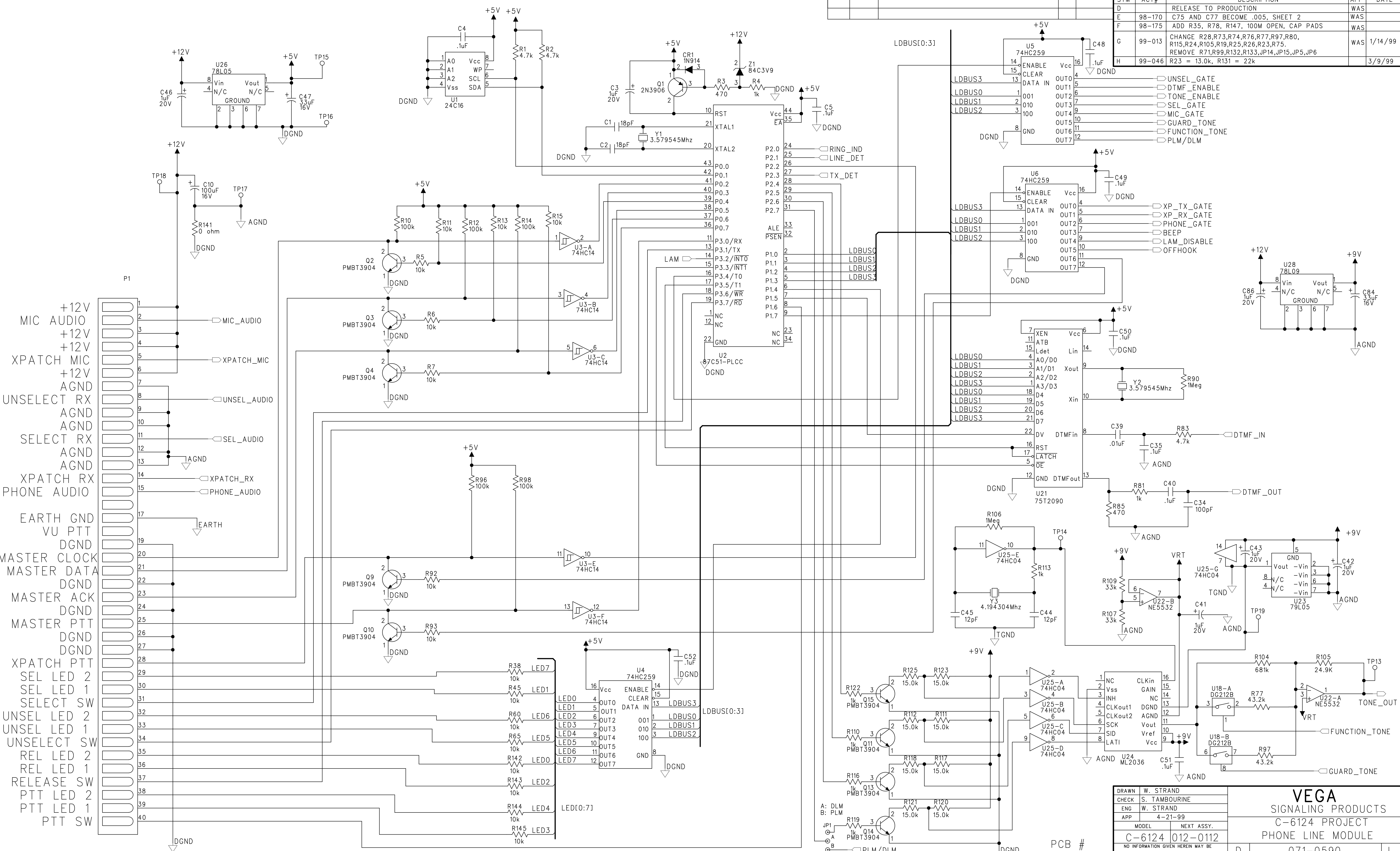


J	99-062	CHANGE U2 SOCKET, R91 BECOMES 150K		
---	--------	------------------------------------	--	--

REVISIONS				
SYM	ACT#	DESCRIPTION	APP	DATE
D		RELEASE TO PRODUCTION	WAS	
E	98-170	C75 AND C77 BECOME .005, SHEET 2	WAS	
F	98-175	ADD R35, R78, R147, 100M OPEN, CAP PADS	WAS	
G	99-013	CHANGE R28,R73,R74,R76,R77,R97,R80, R115,R24,R105,R19,R25,R26,R23,R75. REMOVE R71,R99,R132,R133,JP14,JP15,JP5,JP6 R23 = 13.0k, R131 = 22k	WAS	1/14/99
H	99-046			3/9/99

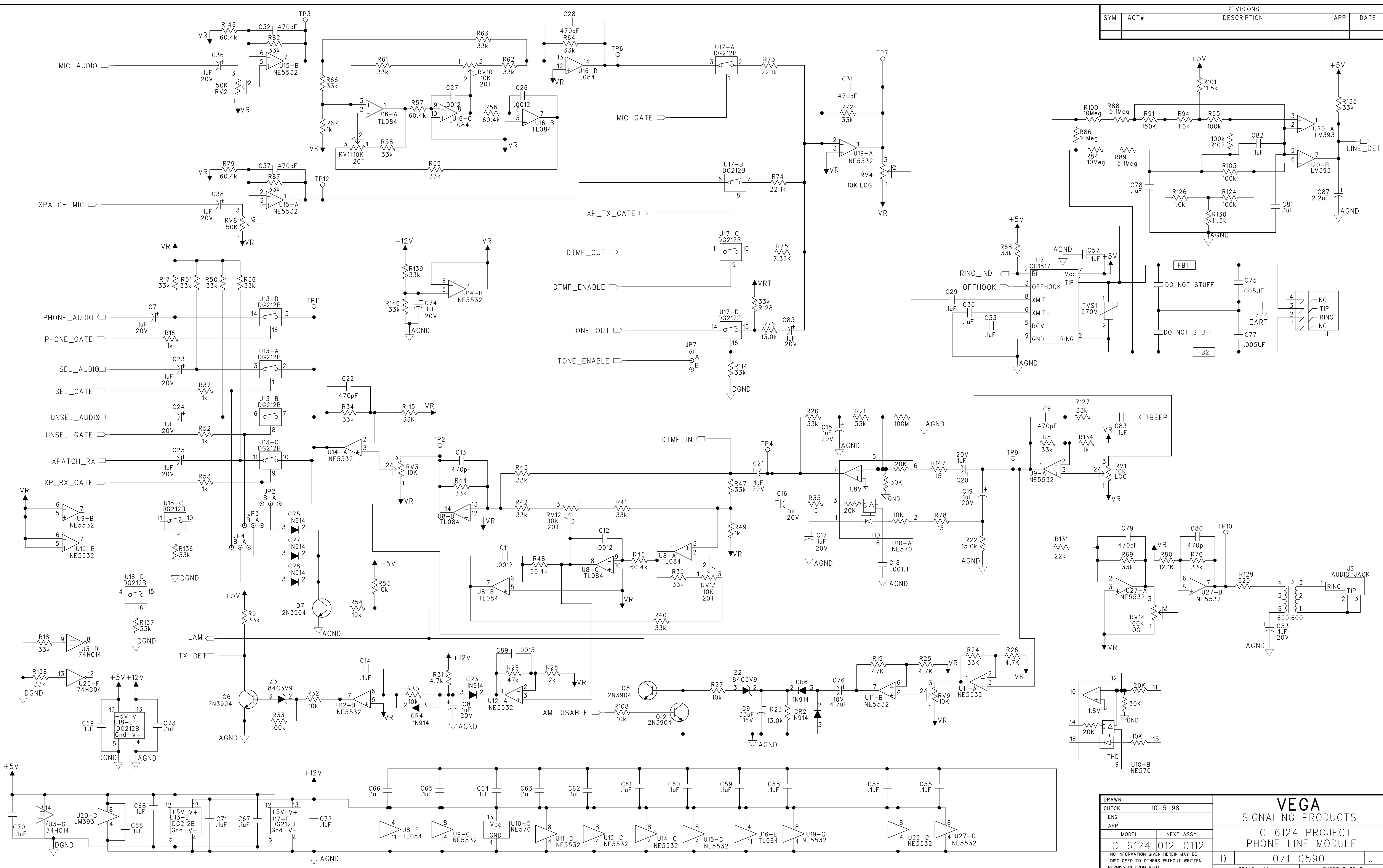


- +12V
- MIC AUDIO
- +12V
- XPATCH MIC
- +12V
- AGND
- UNSELECT RX
- AGND
- AGND
- SELECT RX
- AGND
- AGND
- XPATCH RX
- PHONE AUDIO
- EARTH GND
- VU PTT
- DGND
- MASTER CLOCK
- MASTER DATA
- DGND
- MASTER ACK
- DGND
- MASTER PTT
- DGND
- DGND
- XPATCH PTT
- SEL LED 2
- SEL LED 1
- SELECT SW
- UNSEL LED 2
- UNSEL LED 1
- UNSELECT SW
- REL LED 2
- REL LED 1
- RELEASE SW
- PTT LED 2
- PTT LED 1
- PTT SW

DRAWN	W. STRAND	<b>VEGA</b> SIGNALING PRODUCTS C-6124 PROJECT PHONE LINE MODULE	D 071-0590 J SCALE: 1:1 SHEET 1 OF 2
CHECK	S. TAMBOURINE		
ENG	W. STRAND		
APP	4-21-99		
MODEL		C-6124 012-0112	
NEXT ASSY.			
NO INFORMATION GIVEN HEREIN MAY BE DISCLOSED TO OTHERS WITHOUT WRITTEN PERMISSION FROM VEGA			

PCB # 065-0486

REVISIONS				
SYM	ACT#	DESCRIPTION	APP	DATE



DRAWN		<b>VEGA</b> SIGNALING PRODUCTS C-6124 PROJECT PHONE LINE MODULE	D SCALE: 1:1	J SHEET 2 OF 2
CHECK	10-5-98			
APP				
MODEL	C-6124	NEXT ASSY.	012-0112	
NO INFORMATION GIVEN HEREIN MAY BE DISCLOSED TO OTHERS WITHOUT WRITTEN PERMISSION FROM VEGA				