

Technical Data Sheet



Gooseneck Microphone Monitor Mount Model MM-GN

Description

The MM-GN Gooseneck Monitor Microphone Mount, MM-GN, is the ideal solution for mounting Telex's™ gooseneck microphone, model GNM-18, in a convenient workspace location.

The low profile mount is designed for easy installation to the back of Telex's™ Nexus IP Console Position monitor. Position the Gooseneck Microphone Monitor Mount to the left, top, or right of the monitor.

The Gooseneck Microphone Monitor Mount easily connects to your system with Telex's™ HB-3Plus Headset Adapter Panel (required hardware interface) with the included RJ-12 cable.

Note: The Gooseneck Microphone Monitor Mount ships with or without the Telex™ Gooseneck Microphone.

Optional



**Gooseneck Microphone
GNM-18**

Included parts

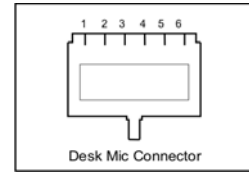
- Gooseneck Microphone Monitor Mount
- Qty (2) screws, Qty (2) standoffs
- Cable with RJ-12 connectors (6 ft. long)
- Vega CD
- Gooseneck Microphone GNM-18 (optional)

System Requirements

- Hardware:** HB-3Plus Headset Adapter Panel
 Nexus IP Position Console Monitor
 Gooseneck Microphone GNM-18 (if ordering without microphone)

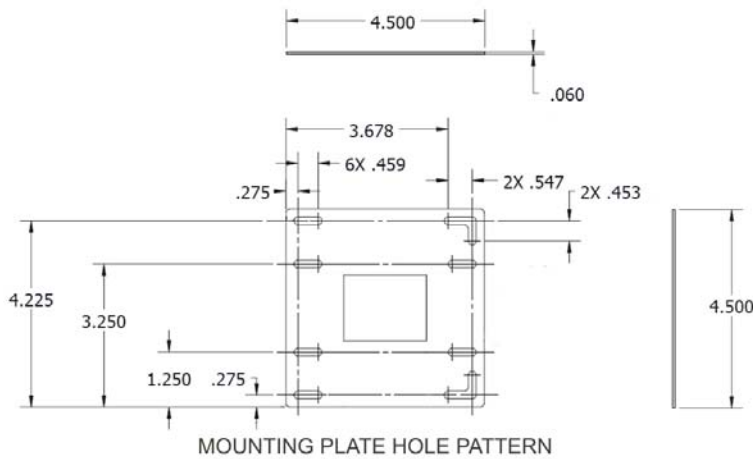
Specifications

- Weight:** 0.24 lbs.
Connector: RJ-12, 6 conductor
Dimensions: See below:



RJ-12 Connector pin out and function

- 1) GND
- 2) Mic
- 3) GND
- 4) PTT Switch
- 5) MON Switch
- 6) +Bias



Order information

Part number

- PRD000089000.....Gooseneck Microphone Monitor Mount with Gooseneck Microphone
- PRD000089002.....Gooseneck Microphone Monitor Mount without Gooseneck Microphone

Installation

1. Mount Gooseneck Microphone Monitor Mount (MM-GN) to the back of Nexus IP monitor with included hardware. 2. Plug the included RJ-12 cable into the bottom of the Gooseneck Microphone Monitor Mount. 3. Plug the other end of the RJ-12 cable into the HB-3Plus Headset Adapter Panel. 4. Hand-turn the Gooseneck Microphone (GNM-18) into the Mount.

Telex Communications
 Bosch Communications
 8601 East Cornhuskers Hwy
 Lincoln NE 68507-9702
 Sales Support 1-800-752-7560
<http://www.telex.com/RadioDispatch/>