



Model A-508
Summing Line Driver Card

Technical Manual

November 6, 2001

P.N. 0980293



Table of Contents

1 Introduction 2
2 Adjustments and Jumpers 2
 2.1 Adjustments 2
 2.2 Jumpers 2
3 Edge Connections..... 2
4 Schematics and Parts Lists 3
5 Warranty, Service, Repair, and Comments..... 6
6 Specifications 6

1 Introduction

The Vega Model A-508 summing line driver provides a reliable means of summing four inputs and driving a 600ohm line. The A-508 can be used in conjunction with a Model E-509 sequential tone card in a 211 Series or similar panel.

The A-508 has one each single and balanced inputs, both have level adjustments and are mutable from external logic or from a switch. Two single inputs are included for summing fixed audio sources.

The high-output-level line driver is selectable between 600/1200/1800/2400 ohm output impedance and an unbalanced auxiliary output. The A-508 line transformers are not designed to operate on lines carrying direct current. If a DC voltage is on the line, isolate with external capacitors. If the line termination must conduct direct current, install a 600:600-ohm transformer designed for the current involved.

2 Adjustments and Jumpers

2.1 Adjustments

R1 Aux 1 Unbalanced Input
R2 Aux 2 Balance input
R3 Line Output

2.2 Jumpers

JP1- OUT adds 620 Ω to output impedance
JP2- OUT adds 1.2K Ω to output impedance
JP3- IN adds 620 Ω across input #2 Transformer

3 Edge Connections

A,1 MUTE
B,2 AUX 1 IN
C,3 GROUND
D,4 AUX 2 BALANCED IN
E,5 GROUND
F,6 AUX 2 BALANCED IN

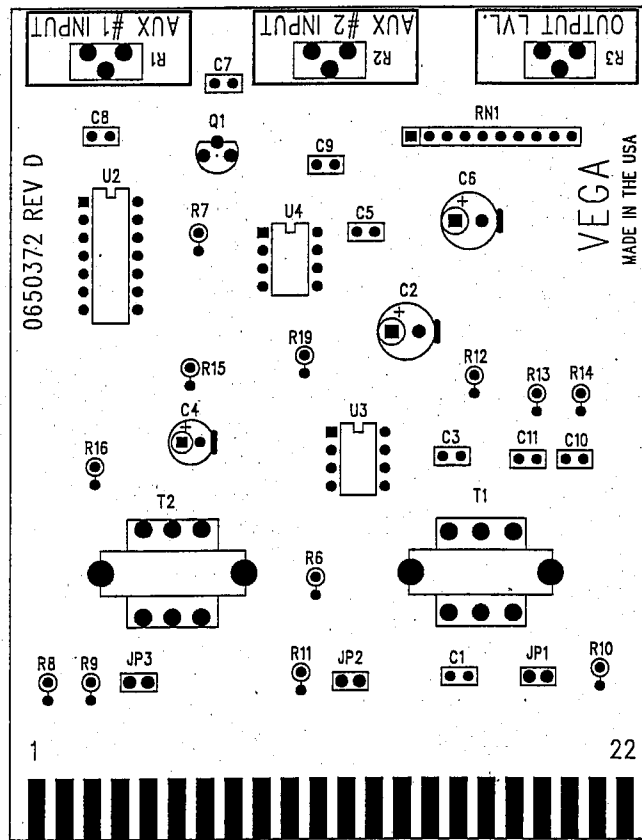
R,14 +V IN
S,15 TONE IN
T,16 AUX TONE IN
U,17 GROUND
V,18 GROUND
W,19 BALANCED OUT
X,20 BALANCED OUT
Z,22 AUX OUT

4 Schematics and Parts Lists

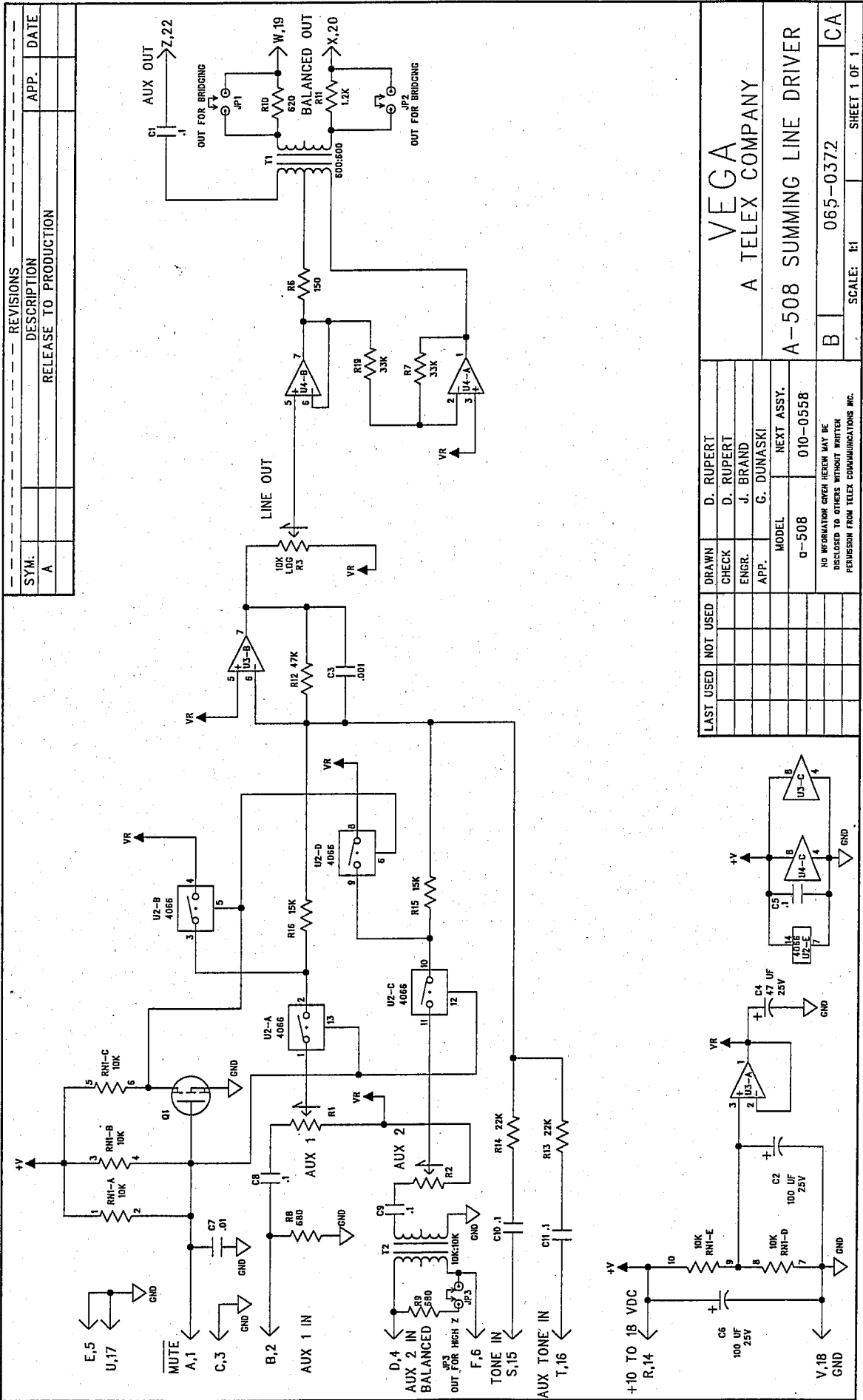
This drawing, written description or specification is a proprietary product of TELEX, Lincoln, NE, and shall not be released, disclosed, nor duplicated without the written permission of TELEX.		Telex Communications INC.				PART NO:	
		Lincoln, Nebraska USA				0110020	
APPROVALS:		DR BY: SBC	CHKD BY: _____	APPD BY: _____	PROD: _____	REV LEVEL:	PA
		DATE: 08/09/01	DATE: _____	DATE: _____	DATE: _____		
TITLE:		PCB ASSY, A-508A Summing Line Driver					
ITEM	NEW	QTY	TYPE	DESCRIPTION	PART NO.	DESIGNATOR	
		1	PCB	PC Board A-508A	0650372 revD		
		1	CAP	CAP, .01UF CER	1101319	C7	
		1	CAP	CAP, .001UF CER	1101320	C3	
		6	CAP	CAP, .1UF CER	1101340	C1,C5,C8,C9,C10,C11	
		1	CAP	CAP, ELECT 47UF/25V	1121653	C4	
		3	RES	RES,VAR 10K OHM	1300725	R1,R2,R3	
		1	RES	RES, 1.2K 1/4W	1343094	R11	
		2	RES	RES, 15K 5% 1/4W	1360046	R15,R16	
		2	RES	RES, 33K 5% 1/4W	1360050	R7,R19	
		1	RES	RES, 620 OHM 5% 1/4W	1360090	R10	
		1	RNET	RNET 5X10K ISO	1380038	RN1	
		1	XSTR	TRANSISTOR 2N7000	1490642	Q1	
		3	PLUG	JUMPER PLUG	2861766	JP1,JP2,JP3	
		0.2	STRIP	TERMINAL STRIP	2861772	JP1,JP2,JP3	
		1	XFORM	TRANSFORMER TM018	3180246	T2	
		1	XFORM	TRANSFORMER TM016	3180259	T1	
		2	IC	IC OPAMP 5532	4250202	U3,U4	
		1	IC	IC CMOS 4066	4250285	U2	
		2	CAP	CAP, ELECT 100UF/25V	51821626	C2,C6	
		1	RES	RES, 47K 5% 1/4W	52154241	R12	
		2	RES	RES, 22K 5% 1/4W	52154249	R13,R14	
		2	RES	RES, 680 OHM 5% 1/4W	52154285	R8,R9	
		1	RES	RES, 150 OHM 5% 1/4W	52154301	R6	

This drawing, written description, or specification represents a proprietary product of TELEX. Lincoln, NE., and shall not be released, disclosed, nor duplicated without the written permission of TELEX.	Telex Communications Inc.				PART NO:	
	Lincoln, Nebraska USA				0110020	
APPROVALS	DR BY: SBC	CHKD BY: SBC	APPD BY:	PROD:	REV LEVEL: A	
	DATE: 08/27/01	DATE: 08/27/01	DATE:	DATE:		
TITLE:	PCB ASSY, A-508A SUMMING LINE DRIVER					

0650372 REV D
TOPSILK



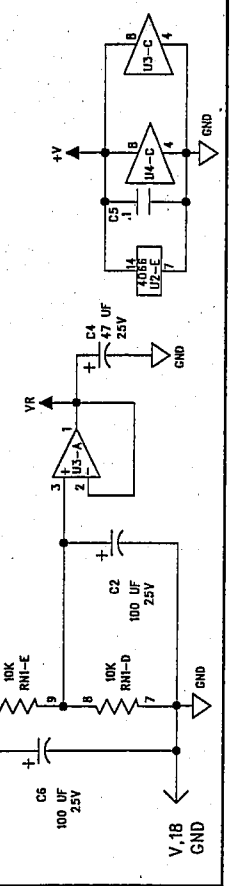
REVISIONS		DESCRIPTION	APP.	DATE
SYM.	A	RELEASE TO PRODUCTION		



LAST USED		NOT USED	DRAWN	CHECK
			D. RUPERT	D. RUPERT
			J. BRAND	J. BRAND
			G. DUNASKI	G. DUNASKI

MODEL	NEXT ASSY.
0-508	010-0558

NO INFORMATION GIVEN HEREIN MAY BE DISCLOSED TO OTHERS WITHOUT WRITTEN PERMISSION FROM TELEX COMMUNICATIONS INC.	
B	065-0372
SCALE: 1:1	SHEET 1 OF 1



VEGA
A TELEX COMPANY
A-508 SUMMING LINE DRIVER

5 Warranty, Service, Repair, and Comments

Important! Be sure the exact return address and a description of the problem or work to be done are enclosed with your equipment.

Warranty (Limited)

All Vega signaling products are guaranteed against malfunction due to defects in materials and workmanship for three years, beginning at the date of original purchase. If such a malfunction occurs, the product will be repaired or replaced (at our option) without charge during the three-year period, if delivered to the Telex factory. Warranty does not extend to damage due to improper repairs, finish or appearance items, or malfunction due to abuse or operation under other than the specified conditions, nor does it extend to incidental or consequential damages. Some states do not allow the exclusion or limitation of incidental or consequential damages, so the above limitation may not apply to you. This warranty gives the customer specific legal rights, and there may be other rights which vary from state to state.

Factory Service Center

TELEX Communications, Inc.

Vega Signaling Products

8601 East Cornhusker Highway, Lincoln, Nebraska, 68507
Phone: (402) 465-7026 / (800) 752-7560 Fax: (402) 467-3279

Claims

No liability will be accepted for damages directly or indirectly arising from the use of our materials or from any other causes. Our liability shall be expressly limited to replacement or repair of defective materials.

Suggestions or Comments

We'd appreciate your input. Please send us your suggestions or comments concerning this manual, by fax (402-467-3279) or e-mail them to: vega@telex.com

6 Specifications

Input Impedance: 600 Ω unbalanced and balanced, or 22k Ω single

Frequency Response: ± 1.5 dB, 300 to 3000 Hz

Line Output Level: -30 to +12dBm, adjustable

Output Impedance: 600/1200/1800/2400 Ω balanced, 300 Ω for unbalanced auxiliary

Operating Temperature Range: -30 to 70 $^{\circ}$ C

Power Requirements: +10 to +18 Vdc, semi-regulated, 250ma. Maximum

Dimensions: 3.6 Wide, 4.5 Deep, 0.75 High inches

TELEX Communications, Inc.

Vega Signaling Products

8601 East Cornhusker Highway, Lincoln, Nebraska, 68507
Phone: (402) 465-7026 / (800) 752-7560 Fax: (402) 467-3279

Visit our web site at www.vega-signaling.com